

BTL Power Amplifier

MB3720

18V/12W

DATASHEET

OEM – Fujitsu

Source: Fujitsu Databook 1983

FUJITSU
MICROELECTRONICS

MB3720

12W BTL POWER AMPLIFIER

ABSOLUTE MAXIMUM RATINGS (T_A = 25°C)

Parameter	Symbol	Value	Unit
Supply Voltage	V _{CC}	18	V
Supply Voltage (Surge) t ₉ ≤ 0.2s	V _{CSS}	40	V
Output Current (Peak)	I _{OPEAK}	4.5	A
Power Dissipation	P _D	15	W
Operating Temperature	T _{OP}	-20 to +75	°C
Storage Temperature	T _{stg}	-55 to +150	°C

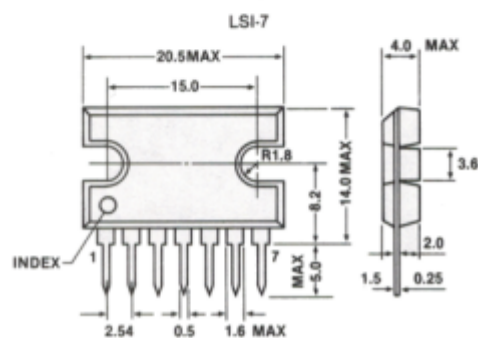
RECOMMENDED OPERATING CONDITIONS

Parameter	Symbol	Value	Unit
Supply Voltage	V _{CC}	8.0 to 16.0	V
Operating Temperature	T _{OP}	-20 to +75	°C

ELECTRICAL CHARACTERISTICS (T_A = 25°C, V_{CC} = 13.2V, R_L = 40Ω, f = 1kHz)

Parameter	Symbol	Condition	Value			Unit
			Min	Typ	Max	
Supply Current (Without Input Signal)	I _O	V _{IN} = 0V, R _L = ∞	—	80	200	mA
Voltage Gain	A _V	P _O = 1W	52.5	55	57.5	dB
Output Power	P _{O1}	THD = 10%	9	12	—	W
Output Power	P _{O2}	R _L = 8Ω, THD = 10%	—	8	—	W
Total Harmonic Distortion	THD	P _O = 1W	—	0.2	1.0	%
Output Noise Voltage	V _{NO}	R _g = 10Ω, BW = 20Hz to 20kHz	—	1.0	2.0	mV
Input Resistance	R _{IN}		20	30	—	kΩ
Output Offset Voltage	V _{OO}	V _{IN} = 0V	—	—	±330	mV

PACKAGE DIMENSIONS (millimeters)



PIN ASSIGNMENT

